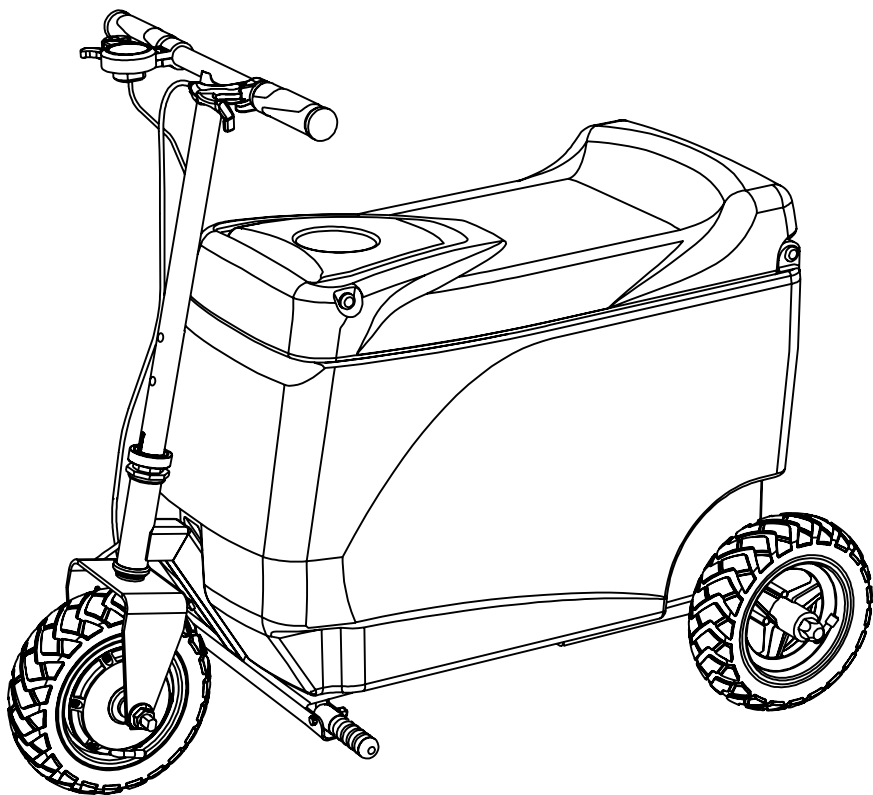




C3 RIDER



OWNER'S MANUAL



Reference full owner's manual at
www.c3customcooler.com/manuals



MADE IN U.S.A.

TABLE OF CONTENTS

RIDER SAFETY INFORMATION.....	3
DISCLAIMER.....	4
LEGALITY DISCLAIMER.....	4
WARRANTY.....	4
RETURN POLICY.....	5
REGISTRATION.....	5
WHERE IS IT LEGAL.....	5
ORDERING PARTS.....	6
MAINTENANCE.....	6
CHARGING THE BATTERY	7
CARE INTRUCTIONS.....	7
TECHNICAL SPECIFICATIONS.....	7
PARTS AND ASSEMBLY.....	8-12



RIDER SAFETY INFORMATION



IMPROPER USE CAN CAUSE SEVERE INJURY OR DEATH

- Always wear protective gear to avoid injury, including an approved helmet, riding footwear (NO open toed shoes), and gloves.
- Do NOT operate the CR Rider with passenger. Each unit is designed and rated for operation by only one person.
- The C3 Rider is designed for operation on flat, paved surfaces. Any terrain grade, including hills and obstacles, can cause instability and unsafe speeds, that may result in an accident.
- Do NOT operate at speeds too fast for your skills or the riding conditions. Do not modify speed/power unit. This will increase risk of injury or void the warranty.
- Do NOT operate under the influence of drugs, alcohol or medications that may impair judgment while driving.
- The brake system must be inspected by the operator prior to each use. Periodic adjustments are required for the brake system as explained in this manual's maintenance section.
- A new C3 Rider is shipped with an assembly kit that contains small screws, nuts, tools and other small parts that can pose a choking hazard for children. Please keep children away from the assembly area when assembling your C3 Rider.
- **Careful to NOT put key into the charging port.**

DISCLAIMER

Always operate the Rider with both hands on the steering handle. Do NOT make modifications to the speed or power unit as this will void the warranty. Do NOT ride “double.” The Rider is designed for only one rider. Do NOT ride while under the influence of alcohol or medications which may impair your reaction time. Do NOT ride over obstacles and rocks or over ramps/jumps. The rider is NOT street legal. Please consult your local and state laws as to where the rider can be operated, i.e. sidewalks, parks etc.

LEGALITY DISCLAIMER

Purchaser shall protect, defend and not hold liable C3 Custom Coolers/Seljan Tool Company, It’s owners, management and employees from and against all claims, costs, liabilities, damages, injuries, judgments and expenses including attorney’s fees and court costs from:

1. Accidents, injuries or death from C3 Custom Cooler Products/Seljan Tool Company products.
2. Any breach of warranty or negligence of C3 Custom Coolers/Seljan Tool Company, it’s owners, management and employees.
3. Incidental or consequential damages or losses from the use of the C3 Rider. I have read, and understand and agree to the above terms as a condition of operating the C3 Rider.

WARRANTY

Manufacturer warranties products to be free of manufacturing defects for a period of 120 days from the date of purchase. This warranty does not cover the general wear and tear of the tires, tubes, brakes and cables. Overloading the C3 Rider voids the warranty.

RETURN POLICY

All products purchased with the exception of custom or personalized items are covered by a 15 day return policy(from ship date). The following conditions shall govern all return requests:

1. Any return must be authorized through customer service. You must include your name, order number and reason for return.
2. To receive full credit on a returned item, all products must be 100% complete, contain all manuals, warranty card, parts and original packaging. Customers will be charged accordingly to complete any non-conforming return to its original condition.
3. Customer is responsible for shipping charges on returned items. Instructions on delivery locations will be sent to you via email (email address on record).
4. A 20% restocking fee will be automatically deducted from the original purchase price for all approved returns.

REGISTRATION

Your product is automatically registered upon purchase.

WHERE IS IT LEGAL

The C3 Rider may or may not be legal in certain jurisdictions. It is the responsibility of the user to check local laws to determine the legality of the C3 Rider to operate on public property including roads, sidewalks and any other places they choose to operate the cooler. Most jurisdictions allow the C3 Rider cooler to be operated in the same class as a mobility scooter.

ORDERING PARTS

Replacement parts can be found on our website at www.c3customcoolers.com or you can contact our customer service department at **1-844-723-4909** or by email c3@seljan.com.

MAINTENANCE

Before every use, the C3 Rider should be checked over for the safety of the user.

1. Check all tires for proper pressure. Make sure there are no tears or rips. The pressure rating can be found on the sidewall of the tire.
2. Check the alignment of the front-end steering. Sometimes the steering may be compromised during use and the frame and handlebars may need to be re-tighten to avoid twisting.
3. Check the brake system. Make sure that all bearings, brake calipers and levers are working properly. Check for any wear, tears or obstructions that may cause the brake system to fail.

MAINTENANCE SCHEDULE		
BRAKE SYSTEM	TIRES	STEERING ALIGNMENT
INSPECT / ADJUST BEFORE EVERY USE	INSPECT BEFORE EVERY USE	INSPECT / ADJUST BEFORE EVERY USE

CHARGING THE BATTERY

- DO NOT keep your C3 Rider plugged in at all times. It is not recommended to charge unattended.
- It is recommended to periodically charge the battery when not in use.
- Only use the charging cord that comes with your C3 Rider.
- DO NOT force the charging cord into the port.
- DO NOT put key into the charging port.

CARE INSTRUCTIONS

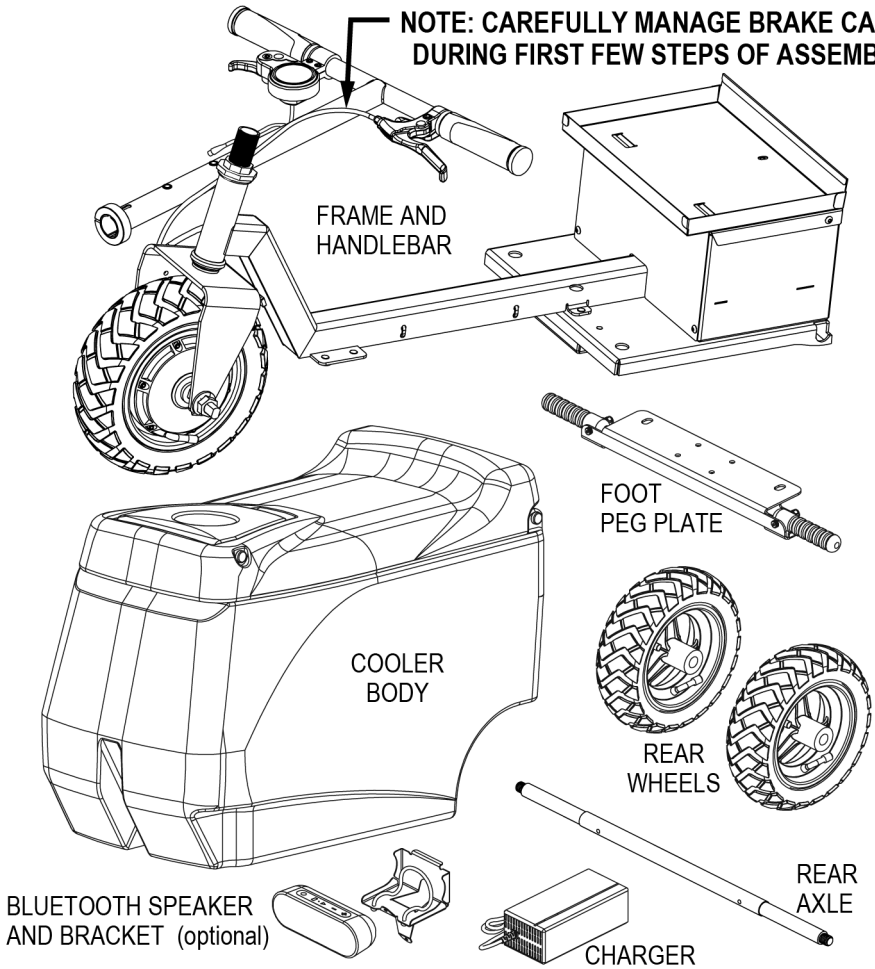
- To clean your C3 Rider, use a damp washcloth to wipe down areas. DO NOT wash area near battery and wires.
- DO NOT wash with a hose, bleach or harsh cleaners this may damage your Cooler or cause your Rider to malfunction.
- DO NOT leave the keys in the ignition when not in use.
- Keep away from children as the C3 Rider is intended for adult use only.
- Keep away from heat sources, other combustibles and water sources such as pools.

SPECIFICATIONS





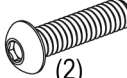





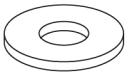
VOLTS	DIMENSIONS	WEIGHT	LOAD CAPACITY	COOLER CAPACITY
48 V	40" L x 22"W x 34" H	88 lbs	300 lbs	30 CANS WITH ICE

PARTS

NOTE: CAREFULLY MANAGE BRAKE CABLE DURING FIRST FEW STEPS OF ASSEMBLY



HARDWARE

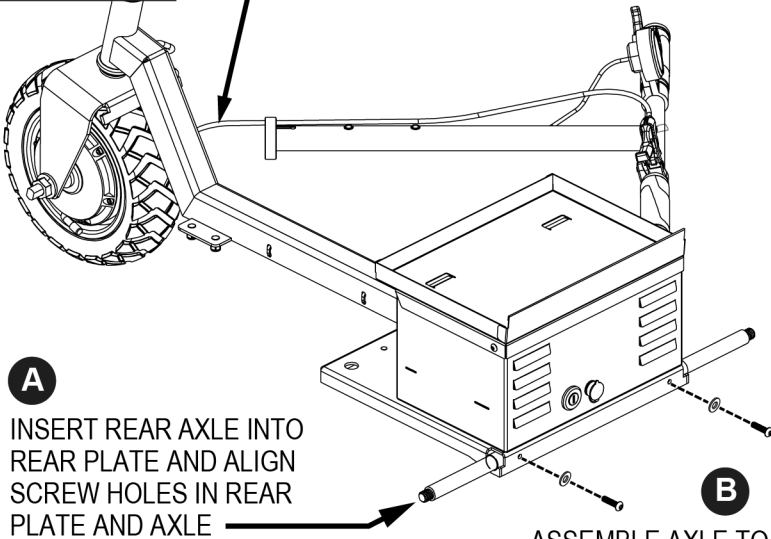
 (4) 1/4-20 LOCKNUTS	 (6) 1/4-20 WASHERS	 (2) 10-32 SCREWS (optional)	 (2) 10-32 WASHERS	 (2) 1/4-20 SCREWS	 (4) 3/8-16 SCREWS
 6 ALLEN WRENCHES 1- 3/16" 1- 5mm 1- 5/32" 1- 1/8"(optional) 1- 7/32" 1- 3mm	 ZIP TIE	 KEYS	 (2) 1/2-13 ACORN NUTS	 (4) 3/8 WASHERS	

ASSEMBLY

NOTE: TOOLS NEEDED FOR ASSEMBLY: Adjustable wrench or 7/16" wrench

STEP 1

NOTE: CAREFULLY MANAGE BRAKE CABLE DURING FIRST FEW STEPS OF ASSEMBLY

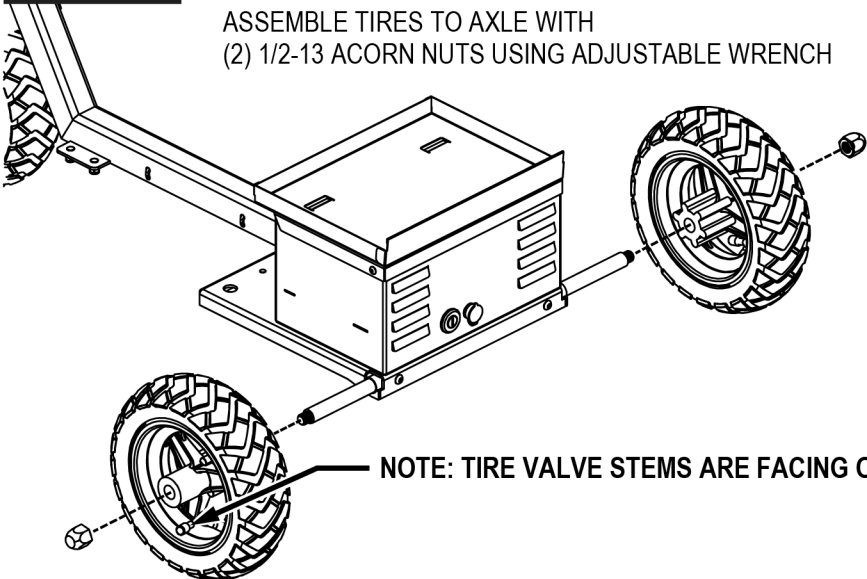


A
INSERT REAR AXLE INTO
REAR PLATE AND ALIGN
SCREW HOLES IN REAR
PLATE AND AXLE

B
ASSEMBLE AXLE TO FRAME WITH
(2) 1/4-20 x 1" SCREWS AND
(2) 1/4-20 WASHERS

STEP 2

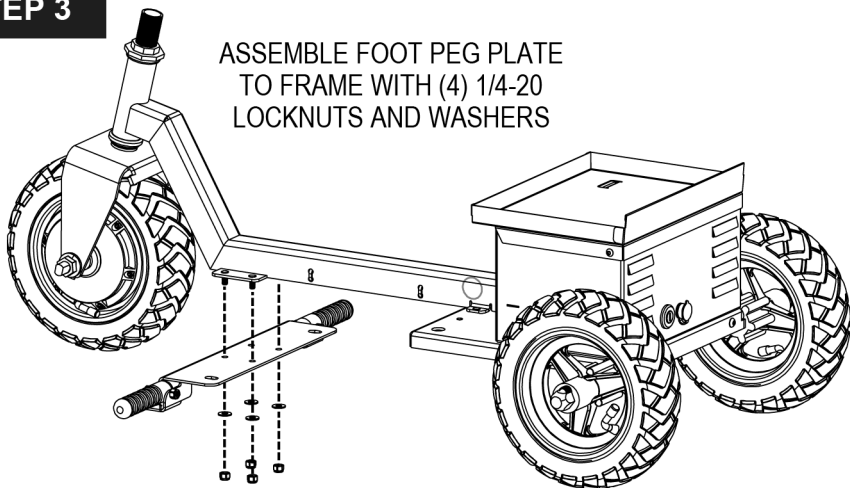
ASSEMBLE TIRES TO AXLE WITH
(2) 1/2-13 ACORN NUTS USING ADJUSTABLE WRENCH



NOTE: TIRE VALVE STEMS ARE FACING OUT

STEP 3

ASSEMBLE FOOT PEG PLATE
TO FRAME WITH (4) 1/4-20
LOCKNUTS AND WASHERS



STEP 4

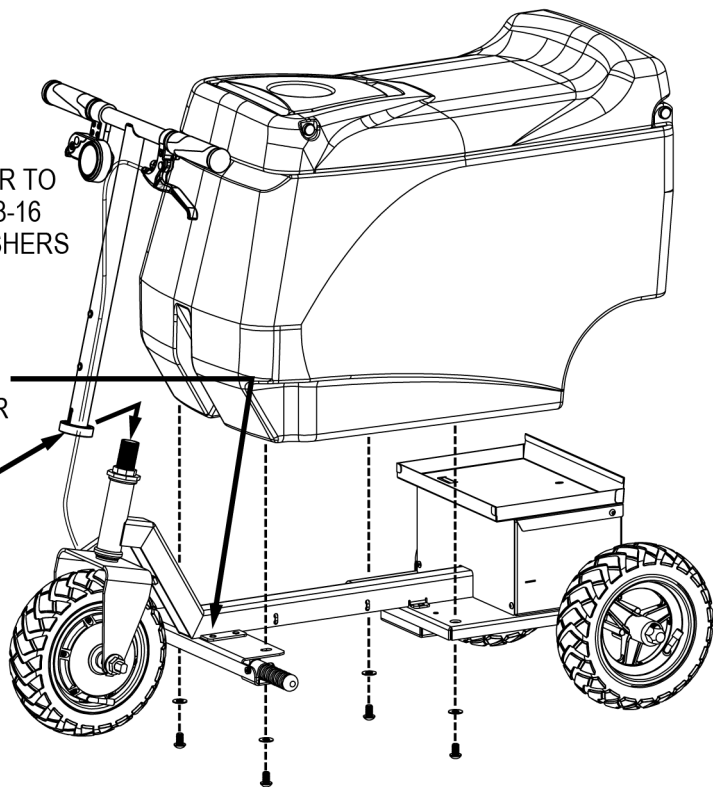
A

ASSEMBLE COOLER TO
FRAME WITH (4) 3/8-16
SCREWS AND WASHERS

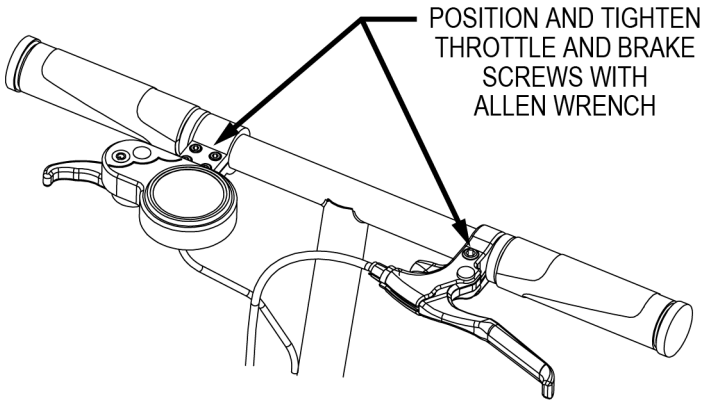
NOTE:
YOU MAY NEED TO
LOOSEN FOOT PEG
PLATE FOR PROPER
COOLER FIT

B

ASSEMBLE
HANDLEBAR
TO HEAD TUBE.
POSITION AND
TIGHTEN WITH
ALLEN WRENCH

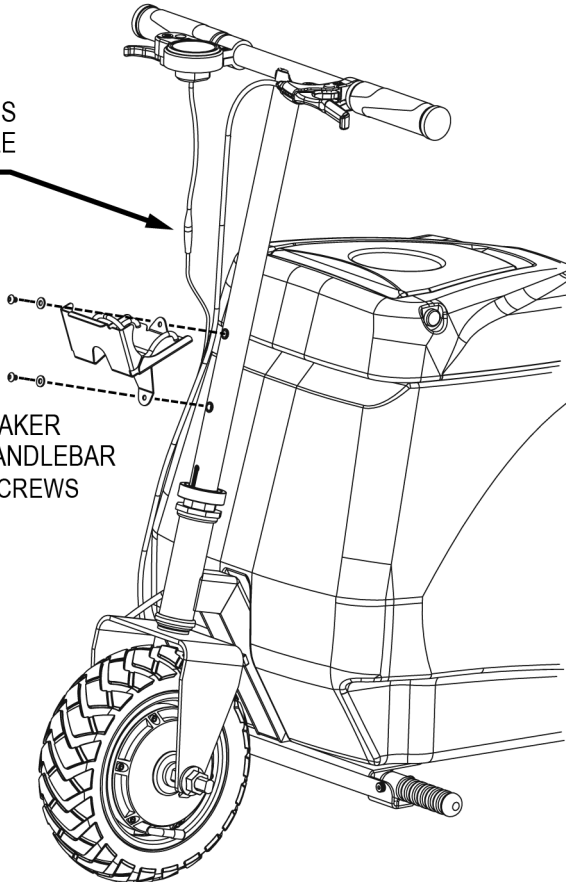


STEP 5



STEP 6

- A** CONNECT WIRES FROM THROTTLE AND WHEEL

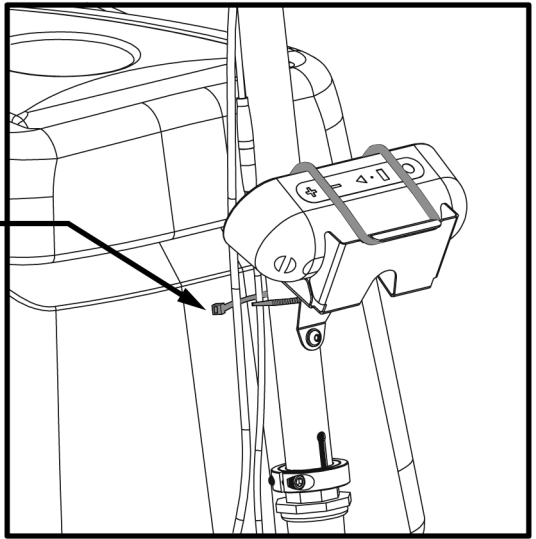


- B** ASSEMBLE SPEAKER BRACKET TO HANDLEBAR WITH (2) 10-32 SCREWS AND WASHERS (optional)

STEP 7

A ZIP TIE BRAKE AND THROTTLE CABLES TO STEERING TUBE BETWEEN SPEAKER BRACKET MOUNTS (DO NOT OVER TIGHTEN)

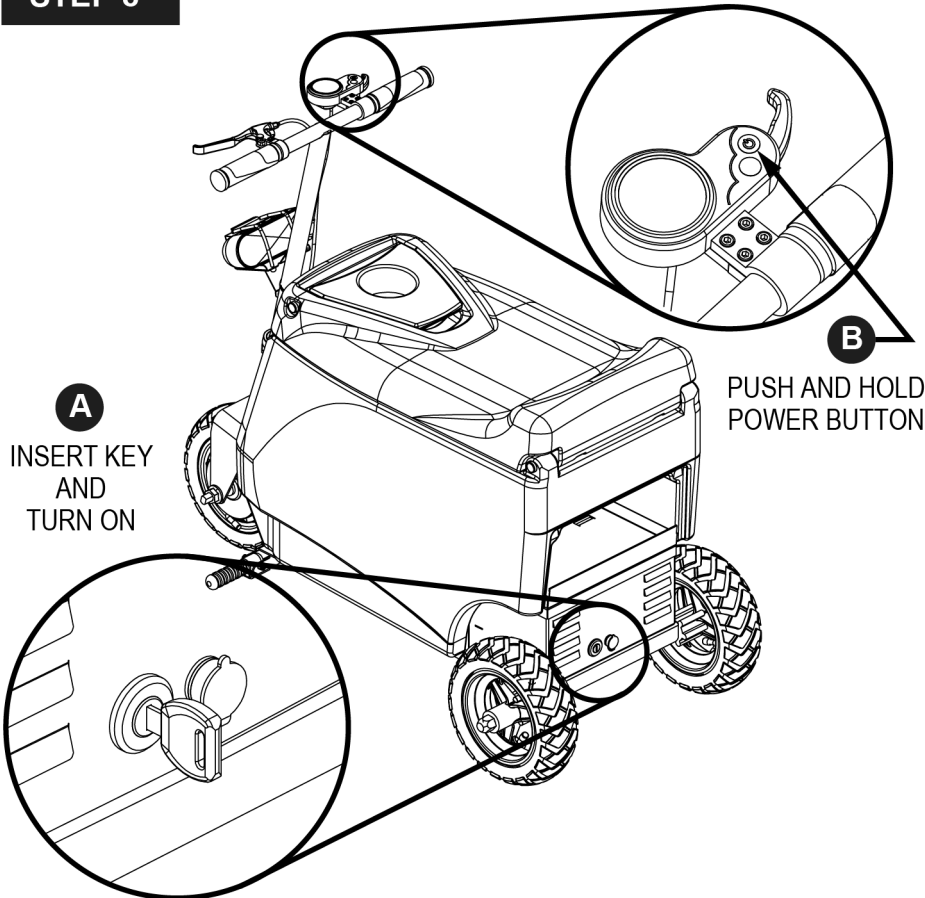
B SECURE SPEAKER WITH PARACORD (optional)



STEP 8

A
INSERT KEY
AND
TURN ON

B
PUSH AND HOLD
POWER BUTTON



THANK YOU FOR YOUR PURCHASE

This manual contains assembly, use and maintenance instructions. The C3 Rider must be assembled by an adult who has read and understands the instructions in this manual. Keep packaging away from children and properly dispose of all packaging. Keep instructions for future reference.

If you have any questions or comments, please contact us at:

C3 Custom Cooler Creations
100 South CP Avenue
Lake Mills, WI 53551
1-844-723-4909
c3@seljan.com
www.c3customcoolers.com

IMPORTANT!!

Do not return the product to the store.
Please contact customer service at 1-844-723-4909
for assistance and replacement parts.



C3 Custom Cooler Creations

Seljan Tool Company, 100 CP Ave., Lake Mills, WI, 53551
1-844-723-4909 | C3@seljan.com
www.c3customcoolers.com

